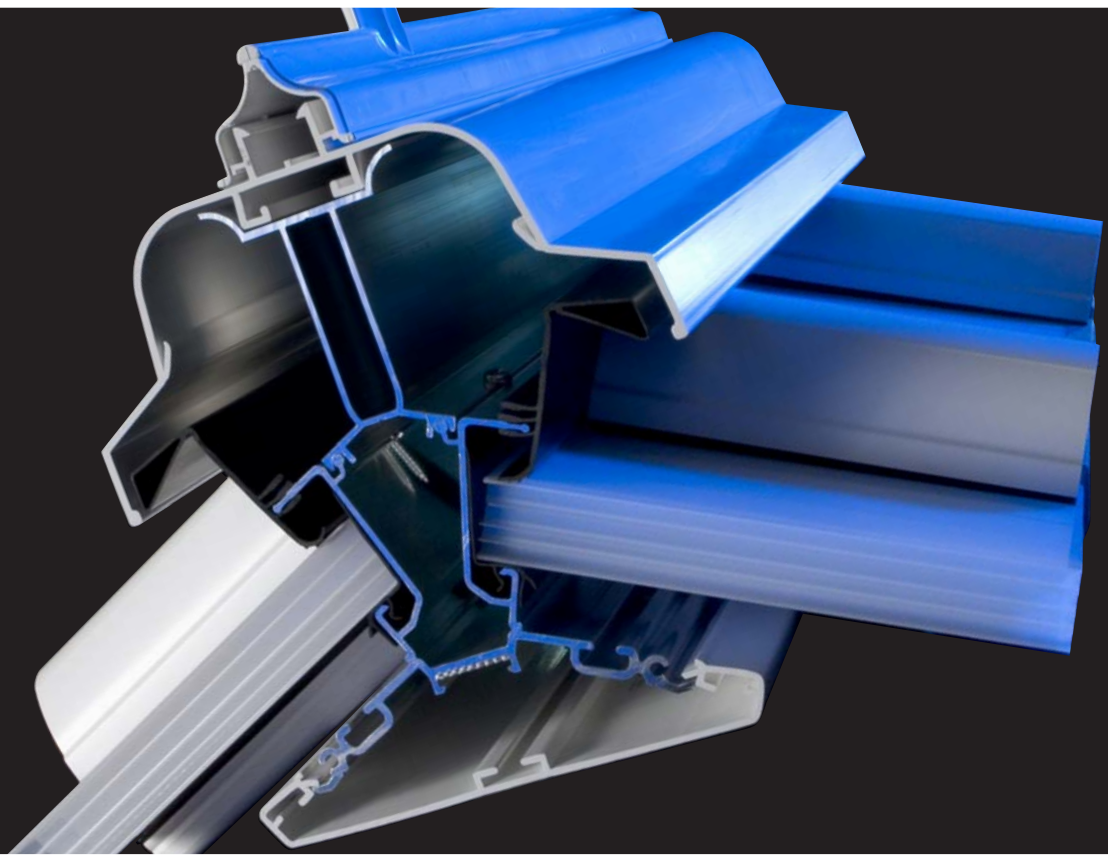


ultraframe

Classic



System Overview

Version: 1.0
April 06



Classic **the number one roofing system from Ultraframe**

Buy the Classic system direct from Ultraframe or from one of over 30 fabrication outlets that offer the roof only or complete conservatories. It's your choice.

Whichever route you choose to Classic, rest assured you will get a first class product, with a strong pedigree and backed by Ultraframe, a company with the longest collective experience in the industry.

unparalleled performance



The Ultraframe Classic roof system is the industry's most successful conservatory roof and it has been tried, tested and trusted by quality installation companies, for over 16 years.

One in every two conservatories built during this time has featured an Ultraframe Classic conservatory roof....that's over ONE MILLION Classic roofs installed on UK conservatories.

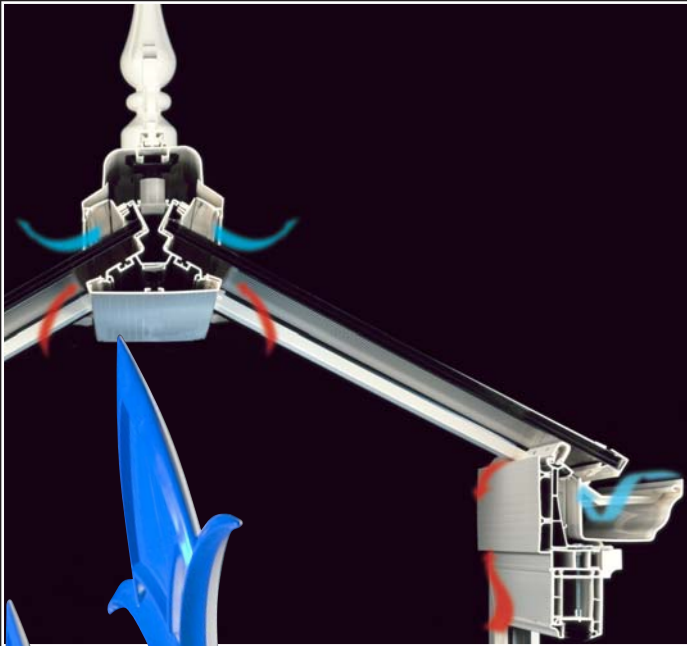
All conservatories are exposed to the elements and must continue to perform day in day out, giving their owners a trouble free space that they can enjoy, at any time of year.



Whatever style, shape, or size of conservatory the homeowner is looking for, whether a glass or polycarbonate roof is to be used, a steep or shallow pitch is required and wherever the extremes of the UK's weather need to be taken into consideration, the Ultraframe Classic roof system can handle it.



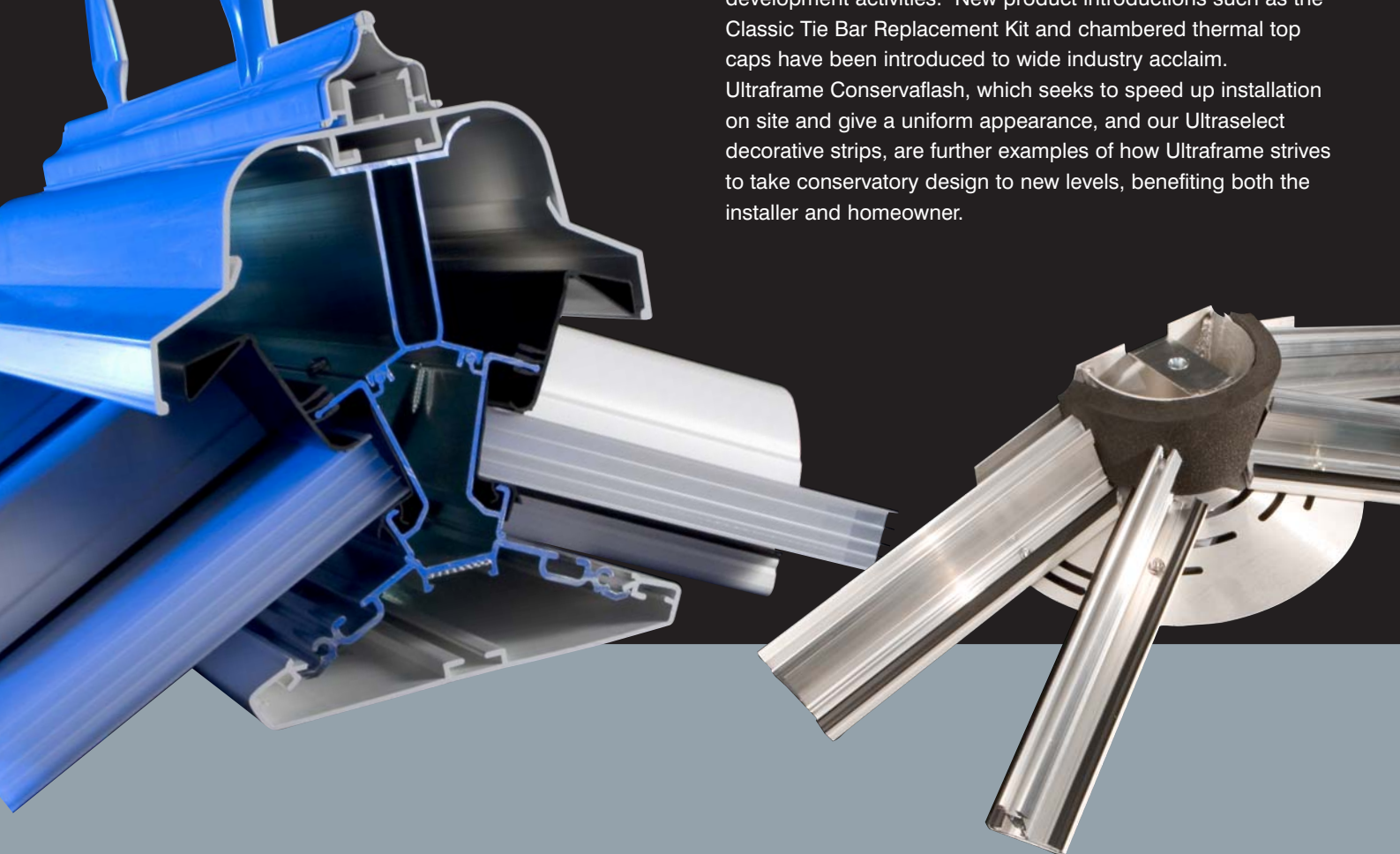
uncompromised engineering



Ultraframe's Classic roof system is engineered from first principles, using a combination of state-of-the-art software and design creativity from our highly qualified research and development teams, to create something special.

Every phase of the Classic system development is exhaustively tested by Ultraframe, before being passed to the British Board of Agreement (BBA), for their independent accreditation. Ultraframe were the first roof manufacturer to present a conservatory roof to the BBA and subsequently gain approval. Whether you purchase roofs direct from Ultraframe or via our nationwide network of approved fabricators you can be sure that you will receive a quality product, backed up with the BBA accreditation. Many rival products do not have similar endorsements, especially when purchased through our competitors' downstream fabricators.

Innovation and continuous enhancement of successful products are the cornerstones of our research and development activities. New product introductions such as the Classic Tie Bar Replacement Kit and chambered thermal top caps have been introduced to wide industry acclaim. Ultraframe Conservafash, which seeks to speed up installation on site and give a uniform appearance, and our Ultraselect decorative strips, are further examples of how Ultraframe strives to take conservatory design to new levels, benefiting both the installer and homeowner.



unbeatable benefits

Since its inception, Ultraframe Classic has consistently proved to be the most popular conservatory roof system available.

The industry's sales teams and surveyors always favour Classic. It provides them with a product that ensures they can design and install the conservatories of homeowners' dreams.

Fitters also trust Classic knowing that they will not be troubled by call backs at a later date and on those rare occasions where service issues might occur, they will enjoy the guarantee of extensive office and field based technical support from Ultraframe.

Consumers now research new conservatory projects more thoroughly, using the Internet and a whole raft of home improvement magazines and exhibitions. They can discover the benefits of the Classic roof for themselves and they will frequently insist on this roof being used as their guarantee of a quality product. Classic is the conservatory brand of choice for discerning homeowners.



Classic – tried, tested, trusted. But please don't just take our word for it. Look at the opinions of long-standing Ultraframe Classic system users.

"Classic offers my business peace of mind, total flexibility, unlimited design options, and a solid and robust product with an extensive range of extras."

"Our sales team and fitters know Classic well and they trust it. They feel secure knowing the level of technical support available to them, should they need it."

"The Ultraframe Classic brand is important to our customers. The Classic roof offers us the flexibility to deal with most situations, whilst Ultraframe's experience gives us the confidence to deal with any potential site issues. We also place a high value on the technical support available to us."

"The Ultraframe brand has a positive appeal, in that it was the first of its kind and it is still the easiest to fit. The roof offers us a good value and Ultraframe provide great support at all levels."

"Classic is still better than all the other roof systems available. It offers excellent ventilation features, that no other manufacturer can match, the best aesthetics and a good level of service from Ultraframe."

"Classic offers us a great range of options and excellent ventilation. The roof is tried and tested and yet it is still constantly improving."

Buy direct or from your nearest Ultraframe fabricator/distributor:



Ultraframe (UK) Ltd
Salthill Road,
Clitheroe,
Lancashire. BB7 1PE

Installer First Team tel : 08704 141002

www.ultraframe.com

Ultralite®, Conservaflash® and Ultraselect® are registered trademarks of Ultraframe (UK) Ltd